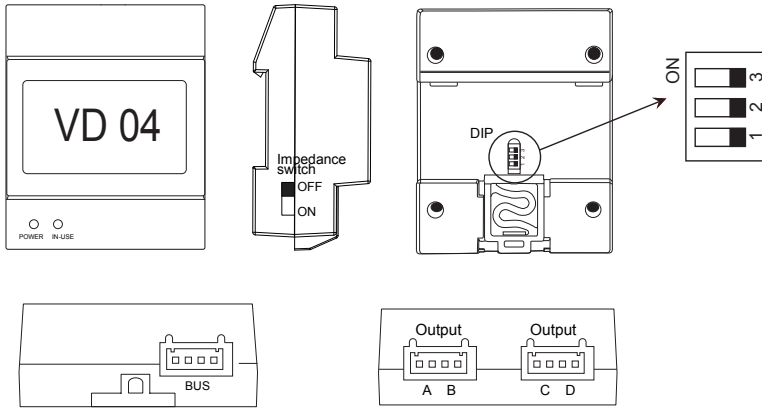


1. Parts and Functions



IN-USE:Status indicator,it will light up when receives signal.

POWER:Working indicator,it will light up when plugs in power supply.

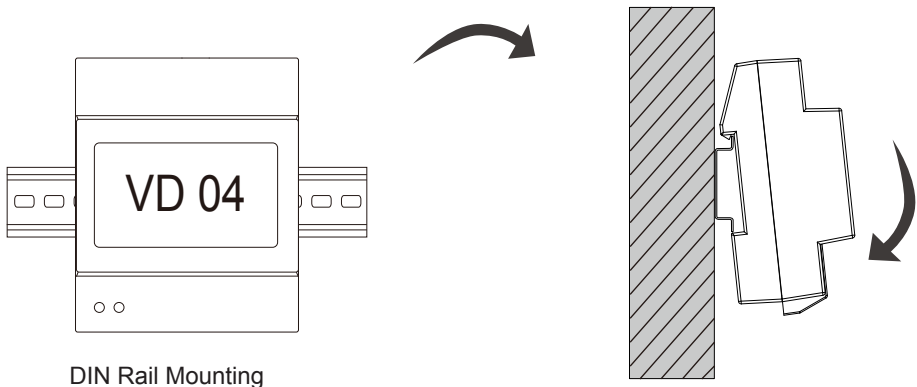
Impedance Switch:Video match switch,the last VD 04 at the end of the bus should set ON to match the video impedance,the power indicator will turn to orange after setting.

Bus:Input port,bus connection port.

A,B,C,D:Output port,connect to indoor monitors or door stations.

DIP :Used for current control when connected with different devices.

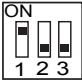


2. Unit Mounting



DIN Rail Mounting

3. DIP Switch Setting

The DIP switch in the back of the panel is used to adjust the terminal start-up current. Please refer to the followings for more detail informations about the DIP settings:

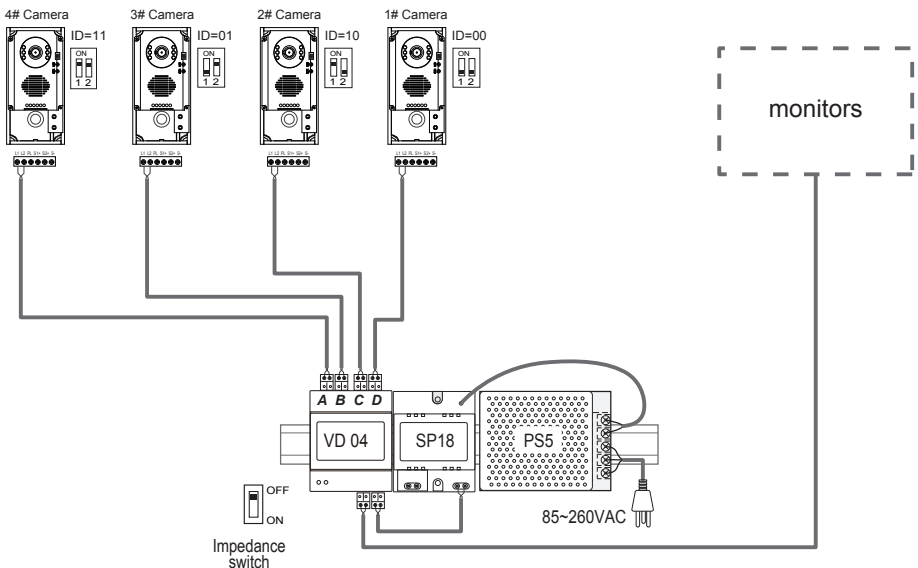
DIP	Bit State	Descriptions
	ON,OFF,OFF	The output port A,B,C,D connected with the device such as monitor
	OFF,ON,OFF	The output port A,B,C,D connected with the device such as monitor
	OFF,OFF,OFF	The output port A,B,C,D connected with door station.

Please note that DJ1 T series and DJ LCD ID can not be connected to the same VD 04, If it happen,please use two VD 04.

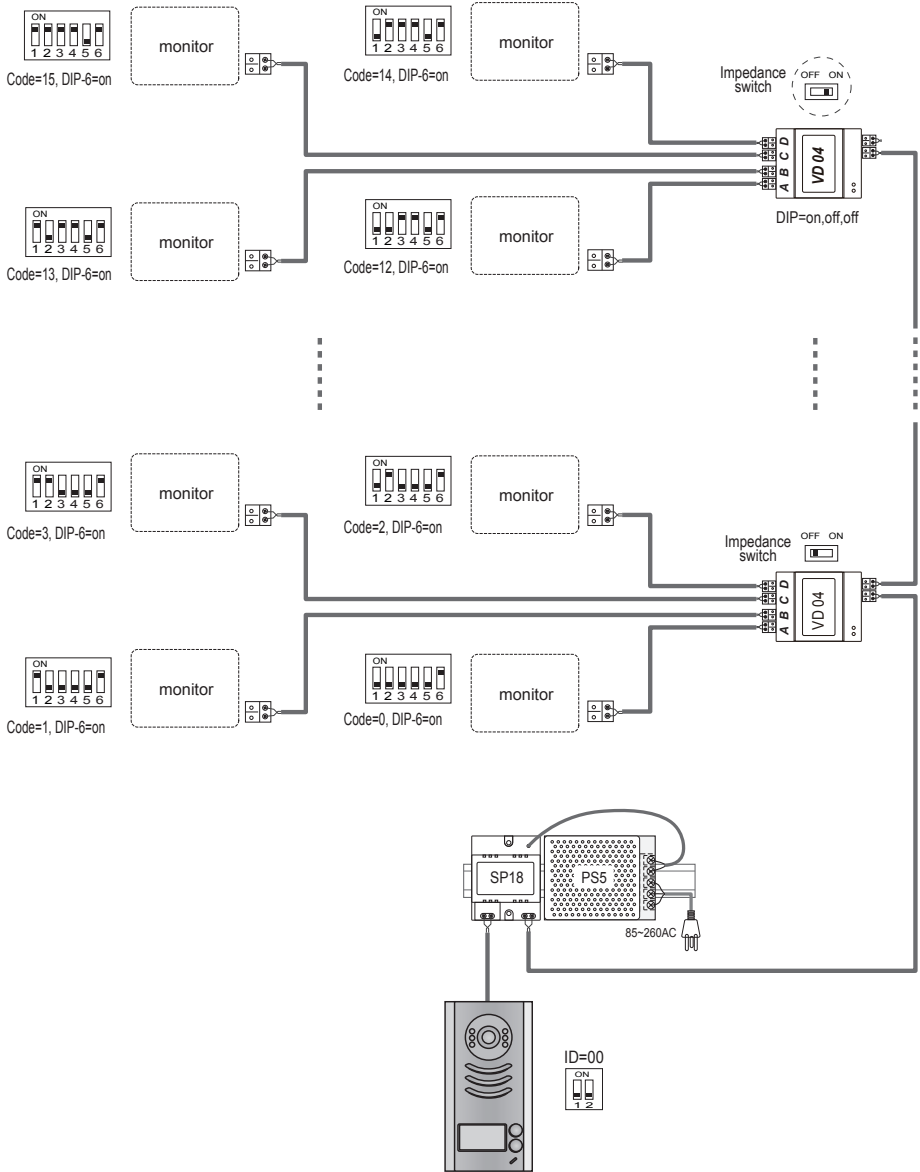
The same situation as DJ 4T ID series and DJ LCD ID model.

4. System Wiring with VD 04

Mult Door Station Wiring:



Mult Monitors Wiring:



5. Specification

Power Supply :	DC24V
Working Temperature:	-10°C~+40°C;
Wiring:	2 wires (non-polarity);
Dimension:	89(H)×70(W)×45(D)mm

The design and specifications can be changed without notice to the user. Right to interpret and copyright of this manual are preserved.